

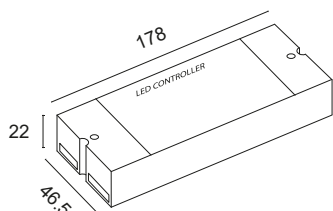
# SR-1009FA3 control unit

Professional four-channel control unit for 350mA constant current control of monochrome, dynamic white or RGB power LEDs. Simple, intuitive pairing system between control units and radio remote controls. A remote control can be combined with several control units to expand the system Installation in unshielded indoor locations. Active memory function.

Power supply voltage:  $V_{in} = V_{out} - 12/24Vdc$

Output current:  $4 \times 350mA - 12/24Vdc$

Power rating:  $4 \times 4.2W@12Vdc - 4 \times 8.4W@24Vdc$



**SR-2819SDIM** Radio remote control for monochrome LEDs  
Quick, precise light intensity selection and control via the round mini-touch panel.  
Three pre-set scenes can be stored.  
Control of light intensity also via four preset buttons: 25%, 50%, 75% or 100%.  
Possibility of coupling the same radio remote control unit to several control units.  
Maximum operating distance 20 metres.



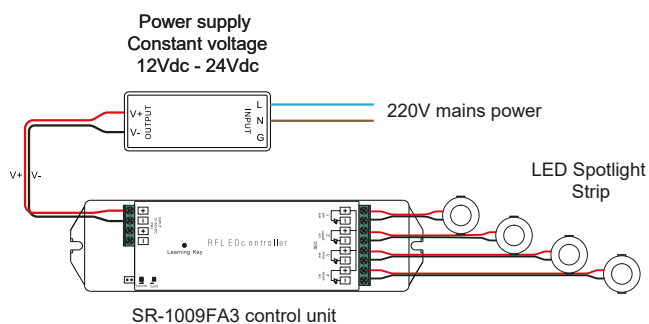
**SR-2819SCCT** Radio remote control for dynamic white LED  
Quick, precise colour temperature selection and adjustment via the mini round touch panel.  
Light intensity adjustment via two buttons.  
Control of light intensity also via four preset buttons: 25%, 50%, 75% or 100%.  
Three pre-set scenes can be stored.  
Possibility of coupling the same radio remote control unit to several control units.  
Maximum operating distance 20 metres.



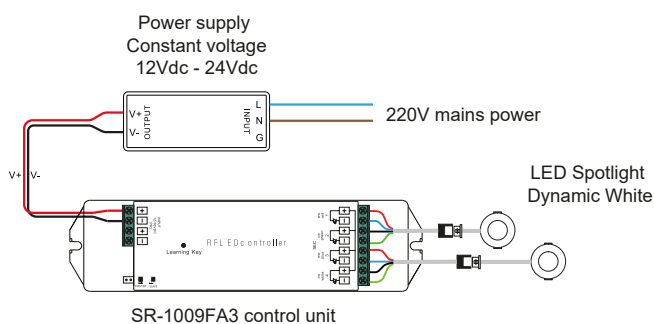
**SR-2819S** Radio remote control for RGB LEDs  
Quick, precise colour selection and adjustment via the mini round touch panel.  
Adjustment of light intensity of the chosen colour via a single button.  
Adjustment of light intensity of the primary colours via three buttons.  
Preset scene selection via single button.  
Possibility of adjusting the speed of scenes.  
Possibility of coupling the same radio remote control unit to several control units.  
Maximum operating distance 20 metres.



## EXAMPLE OF MONOCHROME LED SPOT CONTROL



## EXAMPLE OF DYNAMIC WHITE LED SPOTLIGHTS



## EXAMPLE OF RGB LED SPOTLIGHT CONTROL

